

Level Plus®

Magnetostrictive Liquid Level Transmitters
with Temposonics® Technology



CHAMBERED

MLG Level Gauge Transmitter

Document Part Number
551698 Revision A (EN) 08/2015

Application Data Sheet

| | | | | | | | | | | | | | | | | | | | | | | |
|---|---|---|--|--|--|--|---|---|---|---|---|--|--|--|--|--|--|--|--|--|--|--|
| L | P | C | | | | | 1 | X | X | 0 | X | | | | | | | | | | | |
|---|---|---|--|--|--|--|---|---|---|---|---|--|--|--|--|--|--|--|--|--|--|--|

1 2 3 4 5 6 7 8 9 10 11 12 13 14 15 16 17 18 19 20 21 22

To build the sensor model number in the fields provided above, download the product specification / data sheet from the following CHAMBERED product page link and refer to the document's 'Ordering Information':

<http://www.mtssensors.com/products/liquid-level-transmitters/CHAMBERED/index.html>

Customer Signature:

Phone Number: ()

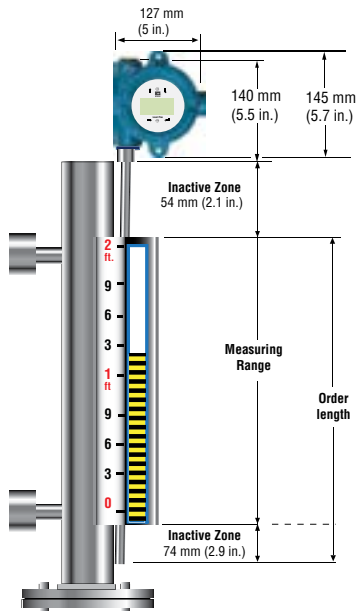
E-mail address:

Please e-mail:

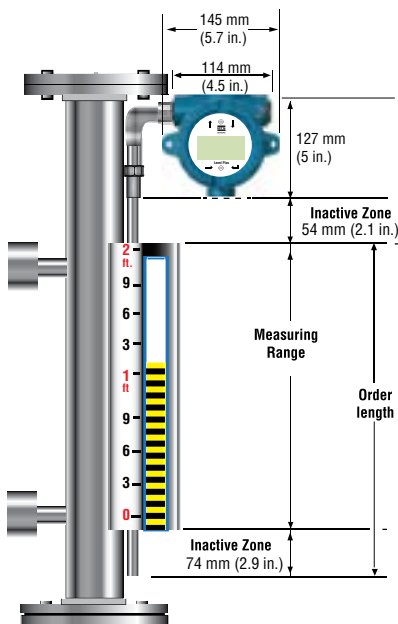
This Completed Application Data Sheet and Purchase Order Information to:
orders@mts.com

Notes:

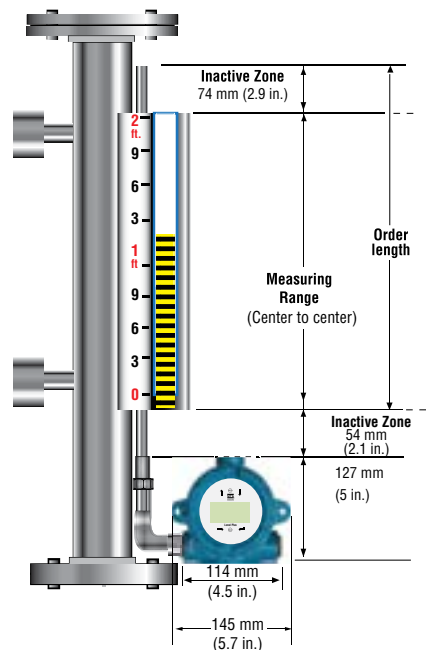
- For Inactive Zone from the tip of the transmitter, refer to the illustration.
- The maximum order length is 3658 mm (144 in.). Consult factory for longer lengths.
- Measuring range = Order length minus Inactive zone at the top of the transmitter.
(i.e. $Measuring\ range = Order\ length - 74\ mm\ (2.9\ in.)$)
- Ambient Temperature of electronic housing may not exceed 71°C (160°F)



Electronic Mounting style '1'



Electronic Mounting style '4'



Electronic Mounting style '6'